

SPECIFICATIONS

Material: HEXSEALS: Silicone rubber conforms to A-A-59588 Class III, GR 60 unless otherwise specified.

Mounting Nut: HEXSEALS: Brass, nickel-plated (unless otherwise noted)

Temperature Range: HEXSEALS: -94°F to +400°F

Pressure Range: Exceeds 15 psi internal and 1500 psi external.

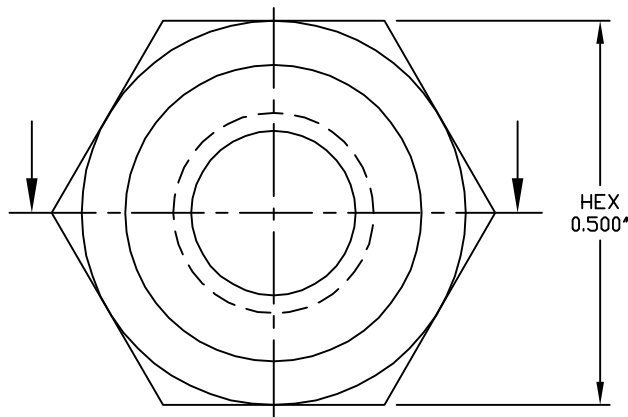
Operational Life: 50,000 actuations (minimum).

Shelf Life: Excess of 25 years.

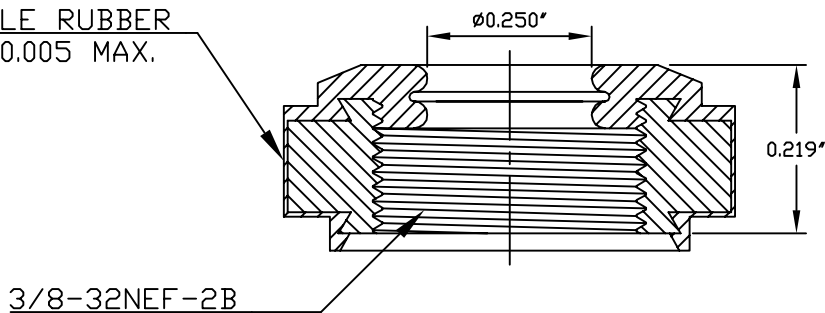
Resistant to: Salt spray, sunlight, ozone, weather, fungus, and most acids and lubricating oils

Agency Recognition: E-SEEL and HEXSEAL are UL listed to UL Std. 50 types 1-13, and meet CSA standards.

Installation: If a reducing adaptor is required- see page 14 of HEXSEAL catalog HEX200 for part numbers and drawing.



PERMISSIBLE RUBBER
OVERLAY 0.005 MAX.



H	MAT'L CHANGED and REDRAWN		S. GOK	07.10.09
G	CAD COMPUTER GENERATED			09.23.02
F	UPDATED		R. C.	08.07.74
REV.	DESCRIPTION			DATE
MAXIMUM AND MINIMUM MEASUREMENTS ARE STATED DIRECTLY ON EACH DIMENSION.	TITLE:	SEAL, SHAFT, ROTARY (N9030x1/4)	ENG.	
			DWN.	S. ANDREWS
MAT'L: Silicone Rubber conforms to A-A-59588, Gr. 60	APM-HEXSEAL CORPORATION	SCALE	CHKD.	J. CELLA
			4 : 1	
FINISH: GRAY			DWG. NO.	N9030x1/4 HEXSEAL®

THIS DRAWING COVERS PROPRIETARY ITEM AND IS THE PROPERTY OF THE APM-HEXSEAL CORPORATION.
THIS DRAWING IS NOT TO BE COPIED OR USED WITHOUT THE WRITTEN APPROVAL OF AN OFFICER OF THE APM-HEXSEAL CORPORATION.